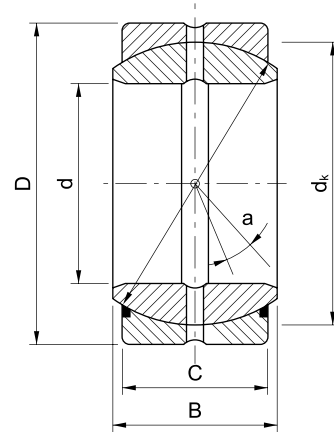


- 外圈有一道軸向縫。
Outer ring with single split in axial direction.
- ES型內、外圈有潤滑油槽、油孔。
Lubrication grooves and holes in the outer and inner rings of type.
- ES...2RS型兩面帶密封圈。
Outer ring of type ES...2RS with two seals.
- 零件邊面磷化處理。
Both outer and inner rings are properly phosphorolytate-treated.



軸承型號 Bearings number	尺寸 Dimensions (mm)								負荷KN Load ratings		重量 Weight (kg)	
	d	D	B	C	dk	R _{1s} min	R _{1s} min	a° ≈	動 C	靜 Co		
GE 6E	6	14	6	4	10	0.3	0.3	13	3.40	17.0	0.004	
GE 8E	8	16	8	5	13	0.3	0.3	15	5.50	27.5	0.007	
GE 10E	10	19	9	6	16	0.3	0.3	12	8.15	40.5	0.011	
GE 12E	12	22	10	7	18	0.3	0.3	11	10.8	54.0	0.016	
GE 15ES	15	26	12	9	22	0.3	0.3	8	17.0	85.0	0.025	
GE 17ES	17	30	14	10	25	0.3	0.3	10	21.2	106	0.041	
GE 20ES	GE 20ES-2RS	20	35	16	12	29	0.6	0.3	9	30.0	146	0.061
GE 25ES	GE 25ES-2RS	25	42	20	16	35.5	0.6	0.6	7	48.0	240	0.11
GE 30ES	GE 30ES-2RS	30	47	22	18	40.7	0.6	0.6	6	62.0	310	0.14
GE 35ES	GE 35ES-2RS	35	55	25	20	47	0.6	1.0	6	80.0	400	0.22
GE 40ES	GE 40ES-2RS	40	62	28	22	53	0.6	1.0	7	100	500	0.30
GE 45ES	GE 45ES-2RS	45	68	32	25	60	0.6	1.0	7	127	640	0.40
GE 50ES	GE 50ES-2RS	50	75	35	28	66	0.6	1.0	6	156	780	0.54
GE 60ES	GE 60ES-2RS	60	90	44	36	80	1.0	1.0	6	245	1220	1.00
GE 70ES	GE 70ES-2RS	70	105	49	40	92	1.0	1.0	6	315	1560	1.5
GE 80ES	GE 80ES-2RS	80	120	55	45	105	1.0	1.0	6	400	2000	2.2
GE 90ES	GE 90ES-2RS	90	130	60	50	115	1.0	1.0	5	490	2450	2.7
GE 100ES	GE 100ES-2RS	100	150	70	55	130	1.0	1.0	7	610	3050	4.3
GE 110ES	GE 110ES-2RS	110	160	70	55	140	1.0	1.0	6	655	3250	4.7
GE 120ES	GE 120ES-2RS	120	180	85	70	160	1.0	1.0	6	950	4750	8.0
GE 140ES	GE 140ES-2RS	140	210	90	70	180	1.0	1.0	7	1080	5400	11.0